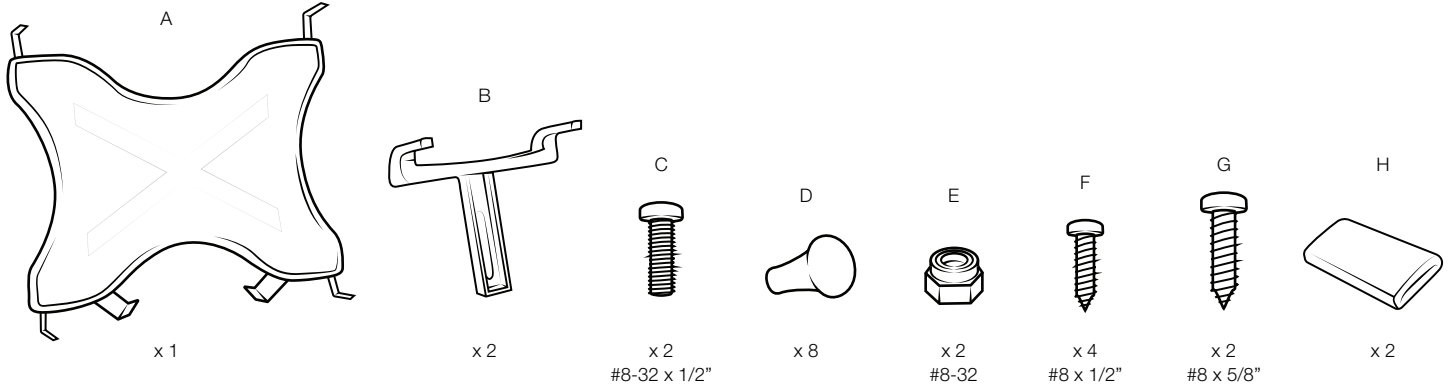


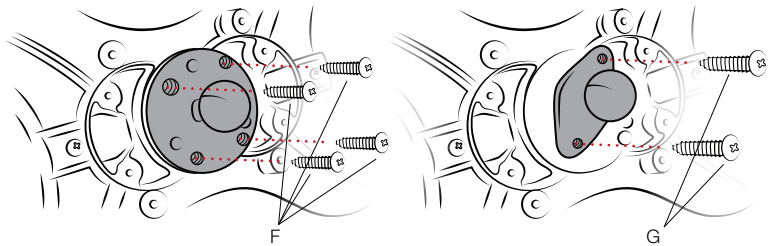
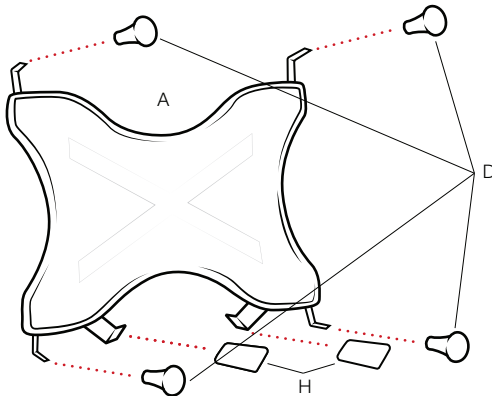
Parts Index

* not to scale



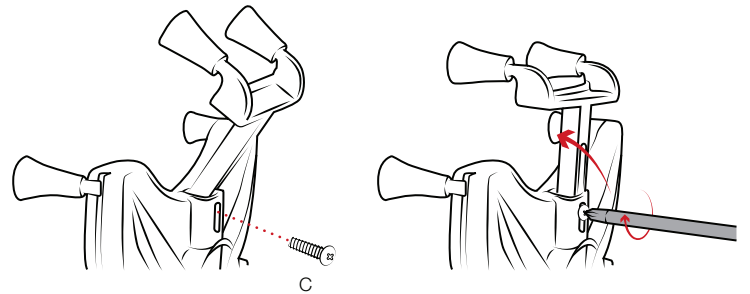
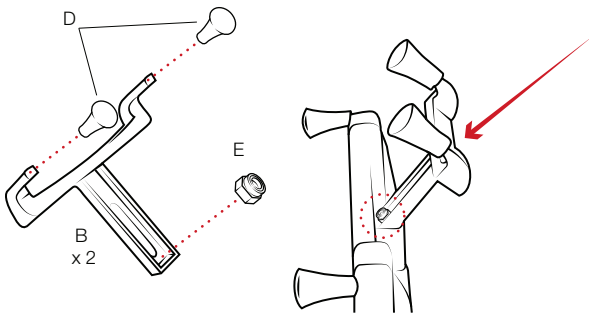
1 Attach rubber caps to each prong on (A) sub assembly.

2 When attaching ball, use the (F) 1/2" screws for metal or round ball adapters. Use (G) 5/8" screws for composite diamond ball adapters.



3 Position (E) nut face up at the bottom of slotted hole on (B) slide support. Carefully set the support into the bottom hole of (A) sub assembly at an angle to prevent the nut from falling inside the assembly. Hold the support at that angle for Step 4.

4 While holding the slide support, insert (C) screw at angle to line up with (E) nut and thread by hand until locked in with threads. Straighten the support and continue tightening the screw. Repeat Steps 3 & 4 for second (B) slide support.



RMR-INS-UN9



Safety Precaution

Do not install this product near or over an airbag deployment area or in a location that obstructs the driver's vision or interferes with vehicle operation. National Products, Inc does not assume responsibility or liability for any such personal injury, death or property damage.